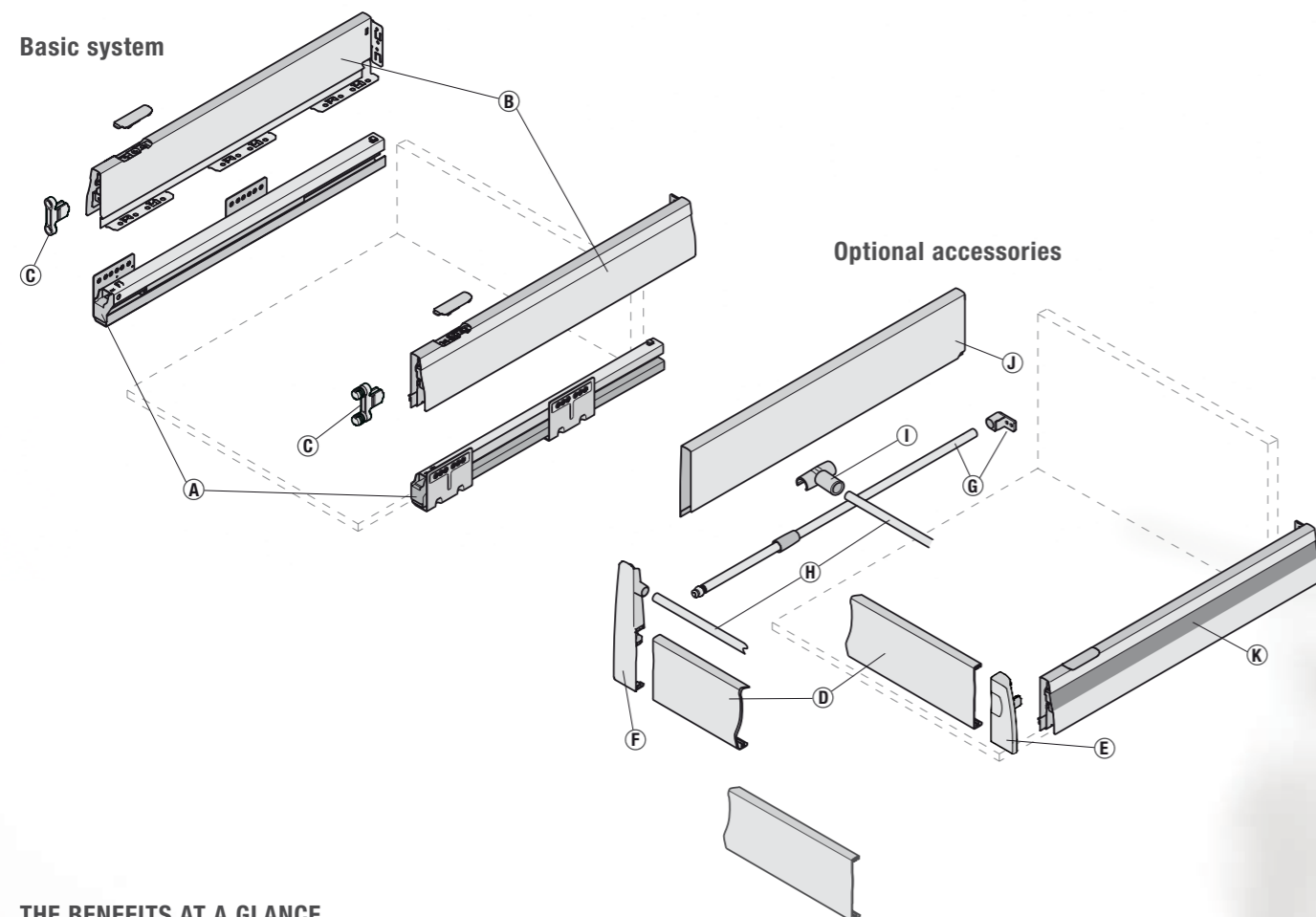


Moovit Drawer System



Moovit – Drawer sides with multi-functional benefits

The Moovit drawer system provides completely new design options in the kitchen, bathroom, living room and industrial area. It consists of a basic system with optional accessories – universal application is provided by the high load bearing capacity, the standard full extension, the different colours and the installation-friendly decorative strips.



THE BENEFITS AT A GLANCE

- 2 different drawer side heights: 92 mm / 115 mm
- 9 nominal lengths
- 3 trend colours, powder coated with structure and effect finish
- 10 decorative strips to match the drawer side designs
- Logo on the cover cap (optional)
- Special powder coating, extremely scratch resistant
- 90° angled inner drawer side and base
- 50 kg load bearing capacity and full extension as standard
- Innovative technology for fine adjustment of front panel
- No tools needed for assembly and disassembly of front panel
- Internal drawer panel and add-on drawer sides in the colour of the drawer sides

Page 04



A Moovit cabinet rail

Page 05



B Moovit chassis drawer sides

Page 05



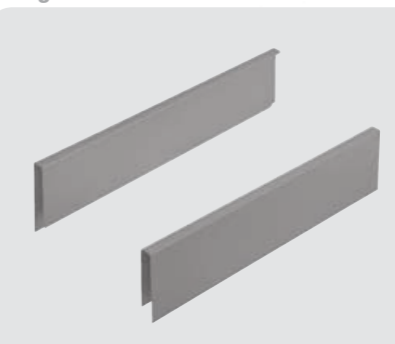
C Moovit fix front fixing brackets

Page 06



G H I Moovit equipment railing

Page 06



J Moovit panel add-on drawer sides

Page 07



E D F Panel for internal drawer

Page 08



K Moovit design decorative strips

Page 09



Drawer compartment systems

Page 10 / 11



Technical details & planning

Moovit

The full extension with self closing and integrated soft closing mechanism and the high load bearing capacity as standard gives you the versatility to design a multi-functional drawer.



Moovit chassis drawer sides

Product description

- Appealing trend colours (cover cap available in the colour of the drawer sides)
- Other colours on request
- Streamline design
- Fine adjustment from above
- Vertically running inner drawer side
- Material: Steel



Moove cabinet rail

Product description

- Full extension
- 50 kg load bearing capacity
- Self closing mechanism and Smuso soft closing mechanism integrated in the Moove cabinet rail
- Progressive roller provides even and gentle movement
- Material: Steel



Moovit fix front fixing brackets

Product description

- For drawer and front extension
- Material: Zinc alloy



For screw fixing For press fitting

| Mounting | Cat. No. |
|-------------------|------------|
| For screw fixing | 553.59.991 |
| For press fitting | 553.59.990 |

Packing: 1 piece

MOOVIT

The robust and elegant Moovit steel drawer sides are available in 2 drawer side heights, 9 nominal lengths and coloured decorative strips to match the drawer sides (from page 08) – and therefore provide unlimited and individual drawer design possibilities for the bathroom and laboratory. Optimum use of space is provided by vertically running inner drawer sides.



Metallic white



Metallic grey



Champagne coloured

Supplied with

- 6 pairs of drawer sides
- 6 pairs of runners
- 6 pairs of cover caps

Supplied with

- 1 pallet of drawer sides
- 1 pallet of runners
- Including cover caps

Standard pack with 6 pairs each

Drawer side height 92 mm

| Nominal length mm | Metallic white | Metallic grey | Champagne coloured |
|-------------------|----------------|---------------|--------------------|
| 270 | 553.56.700 | 553.56.200 | 553.56.800 |
| 300 | 553.56.701 | 553.56.201 | 553.56.801 |
| 350 | 553.56.702 | 553.56.202 | 553.56.802 |
| 400 | 553.56.703 | 553.56.203 | 553.56.803 |
| 450 | 553.56.704 | 553.56.204 | 553.56.804 |
| 500 | 553.56.705 | 553.56.205 | 553.56.805 |
| 550 | 553.56.706 | 553.56.206 | 553.56.806 |
| 600 | 553.56.707 | 553.56.207 | 553.56.807 |
| 650 | 553.56.708 | 553.56.208 | 553.56.808 |

Drawer side height 115 mm

| Nominal length mm | Metallic white | Metallic grey | Champagne coloured |
|-------------------|----------------|---------------|--------------------|
| 270 | 553.57.700 | 553.57.200 | 553.57.800 |
| 300 | 553.57.701 | 553.57.201 | 553.57.801 |
| 350 | 553.57.702 | 553.57.202 | 553.57.802 |
| 400 | 553.57.703 | 553.57.203 | 553.57.803 |
| 450 | 553.57.704 | 553.57.204 | 553.57.804 |
| 500 | 553.57.705 | 553.57.205 | 553.57.805 |
| 550 | 553.57.706 | 553.57.206 | 553.57.806 |
| 600 | 553.57.707 | 553.57.207 | 553.57.807 |
| 650 | 553.57.708 | 553.57.208 | 553.57.808 |

Big pack (pallet)

Drawer side height 92 mm

| Nominal length mm | Palett pack | Metallic white | Metallic grey | Champagne coloured |
|-------------------|-------------|----------------|---------------|--------------------|
| 270 | 384 pairs | 553.56.710 | 553.56.210 | 553.56.810 |
| 300 | 336 pairs | 553.56.711 | 553.56.211 | 553.56.811 |
| 350 | 300 pairs | 553.56.712 | 553.56.212 | 553.56.812 |
| 400 | 228 pairs | 553.56.713 | 553.56.213 | 553.56.813 |
| 450 | 216 pairs | 553.56.714 | 553.56.214 | 553.56.814 |
| 500 | 204 pairs | 553.56.715 | 553.56.215 | 553.56.815 |
| 550 | 192 pairs | 553.56.716 | 553.56.216 | 553.56.816 |
| 600 | 156 pairs | 553.56.717 | 553.56.217 | 553.56.817 |
| 650 | 156 pairs | 553.56.718 | 553.56.218 | 553.56.818 |

Drawer side height 115 mm

| Nominal length mm | Palett pack | Metallic white | Metallic grey | Champagne coloured |
|-------------------|-------------|----------------|---------------|--------------------|
| 270 | 384 pairs | 553.57.710 | 553.57.210 | 553.57.810 |
| 300 | 336 pairs | 553.57.711 | 553.57.211 | 553.57.811 |
| 350 | 300 pairs | 553.57.712 | 553.57.212 | 553.57.812 |
| 400 | 228 pairs | 553.57.713 | 553.57.213 | 553.57.813 |
| 450 | 216 pairs | 553.57.714 | 553.57.214 | 553.57.814 |
| 500 | 204 pairs | 553.57.715 | 553.57.215 | 553.57.815 |
| 550 | 192 pairs | 553.57.716 | 553.57.216 | 553.57.816 |
| 600 | 156 pairs | 553.57.717 | 553.57.217 | 553.57.817 |
| 650 | 156 pairs | 553.57.718 | 553.57.218 | 553.57.818 |

An accurate design is provided by the way in which the powder coating with decorative and effect finish gives the differently angled drawer sides a nuanced reflection.

Moovit equipment panel add-on drawer sides

The storage space of the drawer and front extension is optimised by extending the drawer sides using railing sets and add-on drawer sides.

Simple and economic extension of the storage space in 3 steps:



Internal drawer / extension

Aluminium panel and plastic holder available in the colour of the drawer sides.



Moovit equipment side rail set

| Product description | Nominal length mm | Metallic white | Metallic grey | Champagne coloured |
|---|-------------------|----------------|---------------|--------------------|
| ▪ Railing: Steel | 270 | 553.59.700 | 553.59.200 | 553.59.800 |
| ▪ Holder: Plastic | 300 | 553.59.701 | 553.59.201 | 553.59.801 |
| ▪ Finish: Powder coated | 350 | 553.59.702 | 553.59.202 | 553.59.802 |
| ▪ Diameter: 11 mm | 400 | 553.59.703 | 553.59.203 | 553.59.803 |
| ▪ Supplied with: 2 rails / 4 front adapters / 2 rear panel adapters | 450 | 553.59.704 | 553.59.204 | 553.59.804 |
| | 500 | 553.59.705 | 553.59.205 | 553.59.805 |
| | 550 | 553.59.706 | 553.59.206 | 553.59.806 |
| | 600 | 553.59.707 | 553.59.207 | 553.59.807 |
| | 650 | 553.59.708 | 553.59.208 | 553.59.808 |
| ▪ Packing: 1 or 24 pairs | | | | |

Moovit equipment cross rail

| Product description | Length mm | Metallic white | Metallic grey | Champagne coloured |
|---------------------------|-----------|----------------|---------------|--------------------|
| ▪ Material: Steel | 1200 | 553.59.734 | 553.59.234 | 553.59.834 |
| ▪ Finish: Powder coated | | | | |
| ▪ Diameter: 11 mm | | | | |
| ▪ Packing: 1 or 50 pieces | | | | |

Moovit equipment cross rail holder

| Product description | Metallic white | Metallic grey | Champagne coloured |
|---|----------------|---------------|--------------------|
| ▪ Area of application: Connecting piece for cross and side rail | 553.59.739 | 553.59.239 | 553.59.839 |
| ▪ Material: Plastic | | | |
| ▪ Packing: 1 or 100 pieces | | | |

Moovit panel add-on drawer sides

| Product description | Nominal length mm | Metallic white | Metallic grey | Champagne coloured |
|---|-------------------|----------------|---------------|--------------------|
| ▪ Area of application: For extending the drawer to 162 mm or 185 mm internal inner height | 270 | 553.60.700 | 553.60.200 | 553.60.800 |
| | 300 | 553.60.701 | 553.60.201 | 553.60.801 |
| | 350 | 553.60.702 | 553.60.202 | 553.60.802 |
| ▪ Material: Steel | 400 | 553.60.703 | 553.60.203 | 553.60.803 |
| ▪ Finish: Powder coated | 450 | 553.60.704 | 553.60.204 | 553.60.804 |
| ▪ Installation: For clipping onto the drawer side and railing | 500 | 553.60.705 | 553.60.205 | 553.60.805 |
| | 550 | 553.60.706 | 553.60.206 | 553.60.806 |
| | 600 | 553.60.707 | 553.60.207 | 553.60.807 |
| | 650 | 553.60.708 | 553.60.208 | 553.60.808 |
| ▪ Packing: 1 or 100 pairs | | | | |

Panel for internal drawer/internal extension

| Product description | CW* | Length | Metallic white | Metallic grey | Champagne coloured |
|---|------|------------------|----------------|---------------|--------------------|
| ▪ Front component for internal drawer and extension | 600 | 488 mm | 553.61.711 | 553.61.211 | 553.61.811 |
| | 900 | 788 mm | 553.61.715 | 553.61.215 | 553.61.815 |
| | 1200 | 1088 mm | 553.61.719 | 553.61.219 | 553.61.819 |
| ▪ Material: Aluminium | | | | | |
| ▪ Installation: For inserting between the panel holders | | * Cabinet width | | | |
| ▪ Version: For cabinet widths 600, 900, 1200 mm and for cutting to size | | Packing: 1 piece | | | |

Holder for internal drawer (with railing)

| Product description | Packing | Metallic white | Metallic grey | Champagne coloured |
|---|---------|----------------|---------------|--------------------|
| ▪ Area of application: Panel holder for internal drawer | 1 pair | 553.61.792 | 553.61.292 | 553.61.892 |
| ▪ Material: Plastic | | | | |
| ▪ Installation: For attaching to front component | | | | |

Holder for internal extension (with railing)

| Product description | Packing | Metallic white | Metallic grey | Champagne coloured |
|--|---------|----------------|---------------|--------------------|
| ▪ Area of application: Panel holder for internal extension | 1 pair | 553.61.791 | 553.61.291 | 553.61.891 |
| ▪ Material: Plastic | | | | |
| ▪ Installation: For attaching to front component and railing | | | | |

Spacer

| Product description | Packing | White |
|--|-----------------|------------|
| ▪ Area of application: To compensate for the door offset with internal drawers | 1 or 100 pieces | 553.62.700 |
| ▪ Material: Plastic | | |

Moovit design decorative strips

Elegant coloured decorative strips – to match the drawer sides.

| Aluminium profiles | | Plastic profiles | | Moovit design decorative strips | | | | | | | | | | | | | | | | | | | | | | | | | | | | | |
|---|---|---|---|---|--|--------|----------|----|------------|----|------------|----|------------|----|------------|----|------------|----|------------|----|------------|----|------------|----|------------|----|------------|------------------|---------|----------|------------------------|-----------|------------|
|  |  |  |  | <p>Product description</p> <ul style="list-style-type: none"> Area of application: For colour design of the drawer sides Installation: For sticking on Material: Aluminium or plastic Version: Self-adhesive or with double-sided adhesive tape, dimension: 20 mm Packing: 100 metres <table border="0"> <thead> <tr> <th>Colour</th> <th>Cat. No.</th> </tr> </thead> <tbody> <tr><td>11</td><td>553.62.954</td></tr> <tr><td>12</td><td>553.62.952</td></tr> <tr><td>13</td><td>553.62.953</td></tr> <tr><td>14</td><td>553.62.950</td></tr> <tr><td>15</td><td>553.62.951</td></tr> <tr><td>21</td><td>553.62.904</td></tr> <tr><td>22</td><td>553.62.903</td></tr> <tr><td>31</td><td>553.62.900</td></tr> <tr><td>32</td><td>553.62.902</td></tr> <tr><td>33</td><td>553.62.901</td></tr> </tbody> </table> <p>Double-sided adhesive tape</p> <table border="0"> <thead> <tr> <th>Dimensions in mm</th> <th>Packing</th> <th>Cat. No.</th> </tr> </thead> <tbody> <tr> <td>Width 19 / Thickness 1</td> <td>50 metres</td> <td>003.58.219</td> </tr> </tbody> </table> <p>Please order double-sided adhesive tape separately</p> | | Colour | Cat. No. | 11 | 553.62.954 | 12 | 553.62.952 | 13 | 553.62.953 | 14 | 553.62.950 | 15 | 553.62.951 | 21 | 553.62.904 | 22 | 553.62.903 | 31 | 553.62.900 | 32 | 553.62.902 | 33 | 553.62.901 | Dimensions in mm | Packing | Cat. No. | Width 19 / Thickness 1 | 50 metres | 003.58.219 |
| Colour | Cat. No. | | | | | | | | | | | | | | | | | | | | | | | | | | | | | | | | |
| 11 | 553.62.954 | | | | | | | | | | | | | | | | | | | | | | | | | | | | | | | | |
| 12 | 553.62.952 | | | | | | | | | | | | | | | | | | | | | | | | | | | | | | | | |
| 13 | 553.62.953 | | | | | | | | | | | | | | | | | | | | | | | | | | | | | | | | |
| 14 | 553.62.950 | | | | | | | | | | | | | | | | | | | | | | | | | | | | | | | | |
| 15 | 553.62.951 | | | | | | | | | | | | | | | | | | | | | | | | | | | | | | | | |
| 21 | 553.62.904 | | | | | | | | | | | | | | | | | | | | | | | | | | | | | | | | |
| 22 | 553.62.903 | | | | | | | | | | | | | | | | | | | | | | | | | | | | | | | | |
| 31 | 553.62.900 | | | | | | | | | | | | | | | | | | | | | | | | | | | | | | | | |
| 32 | 553.62.902 | | | | | | | | | | | | | | | | | | | | | | | | | | | | | | | | |
| 33 | 553.62.901 | | | | | | | | | | | | | | | | | | | | | | | | | | | | | | | | |
| Dimensions in mm | Packing | Cat. No. | | | | | | | | | | | | | | | | | | | | | | | | | | | | | | | |
| Width 19 / Thickness 1 | 50 metres | 003.58.219 | | | | | | | | | | | | | | | | | | | | | | | | | | | | | | | |
| 11 | | 21 | | | | | | | | | | | | | | | | | | | | | | | | | | | | | | | |
| 12 | | 22 | | | | | | | | | | | | | | | | | | | | | | | | | | | | | | | |
| 13 | | 31 | | | | | | | | | | | | | | | | | | | | | | | | | | | | | | | |
| 14 | | 32 | | | | | | | | | | | | | | | | | | | | | | | | | | | | | | | |
| 15 | | 33 | | | | | | | | | | | | | | | | | | | | | | | | | | | | | | | |

Individual colour concepts to match the interior furnishing, floors and walls in the following areas: Kitchen, living room, bathroom and laboratory. Metallic white, metallic grey or champagne coloured drawer sides – with decorative strips that adapt perfectly to the drawer side shape.

| | | | |
|---|--|--|---|
|  Metallic white drawer side with decorative strip, colour 11 |  Metallic white drawer side with decorative strip, colour 12 |  Metallic grey drawer side with decorative strip, colour 14 |  Metallic grey drawer side with decorative strip, colour 15 |
|  Champagne drawer side with decorative strip, colour 21 |  Champagne drawer side with decorative strip, colour 32 |  Champagne drawer side with decorative strip, colour 13 | |



More individuality is provided by a logo printed on the cover cap, from an order quantity of 1,000 pcs.

Compartment systems

Optimum functionality inside the drawer. Detailed information and a wide range of products can be found in the "The Complete Häfele" catalogue.



Cutlery insert for cutting to size

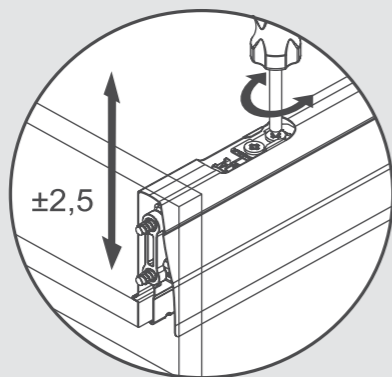


Technical details

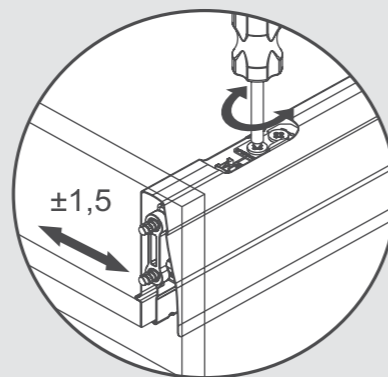
The entire Moovit drawer system is perfectly coordinated and allows easy assembly, exact adjustment and rapid disassembly. Additional storage space is provided by the vertically running inner drawer side.

Convenient adjustment

- Easy access from above for adjusting the panel



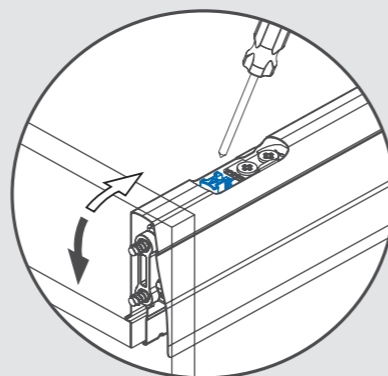
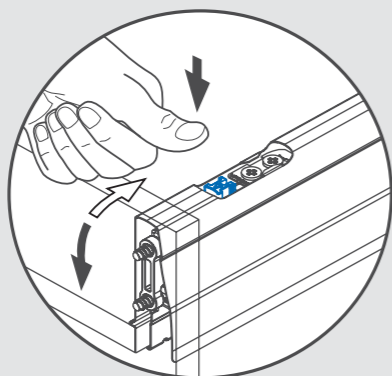
Height adjustment



Side adjustment

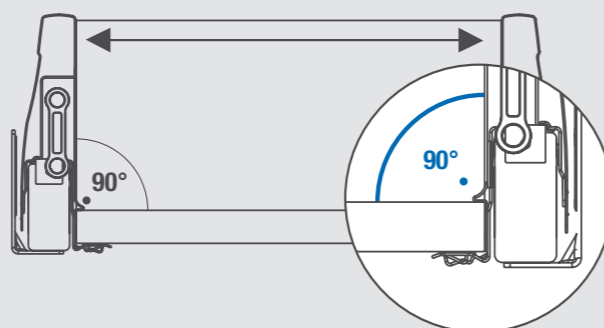
Removing the panel without tools

- Release panel manually or with a screwdriver



Optimum use of space

- With vertically running inner drawer sides



Planning

The entire Moovit drawer system can be planned and ordered via the product configurator at www.hafele.com. Easy, quick and well-organised.



Information on Moovit drawer system

BASIC SYSTEM

Moovit Set

Drawer side height

- 92 mm
- 115 mm

Drawer side colours

- Metallic white
- Metallic grey
- Champagne coloured

Nominal length

- 270 – 650 mm

Moovit fix front fixing brackets

- For press fitting
- For screw fixing

OPTIONAL ACCESSORIES

Panel for internal drawer/ internal extension

Holder for internal drawer

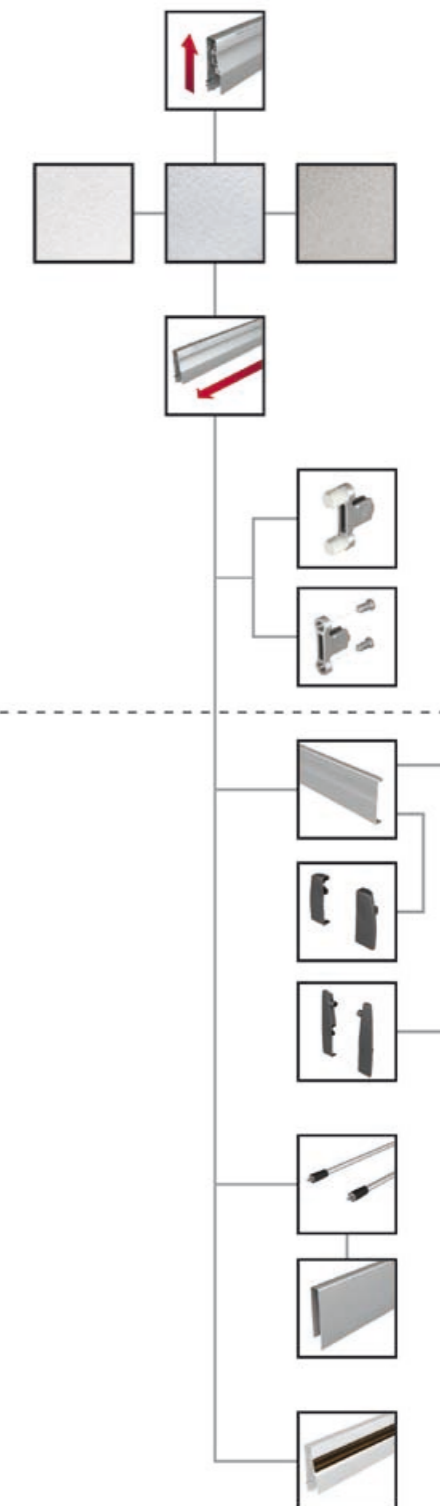
Holder for internal extension

Moovit equipment railing

- Side rail set
- Cross rail
- Cross rail holder

Moovit panel add-on drawer sides

Moovit design decorative strips



EUROPE

Germany headquarters

Häfele GmbH & Co KG
72202 Nagold
Phone +49 (0)74 52 / 95-0
Fax +49 (0)74 52 / 95-2 00
info@haefele.de

Austria

Häfele Austria GmbH
5322 Hof bei Salzburg
Phone +43 (0)62 29 / 3 90 39-0
Fax +43 (0)62 29 / 3 90 39-30
info@haefele.at

Belgium

Häfele Belgium N. V.
9240 Zele
Phone +32 (0)52 / 45 01 14
Fax +32 (0)52 / 45 01 51
info@haefele.be

Denmark

Häfele Danmark A/S
7800 Skive
Phone +45 97 / 51 15 22
Fax +45 97 / 51 12 13
info@haefele.dk

Finland

Häfele GmbH & Co KG
Sivuliike Suomessa
15200 Lahti
Phone +3 58 (0)3 / 8 77 77-0
Fax +3 58 (0)3 / 8 77 77-88
info@haefele.fi

France

Häfele France s.à.r.l.
95157 Taverny Cédex
Phone +33 (0)1 / 30 40 54 50
Fax +33 (0)1 / 30 40 54 61
info@haefele.fr

Great Britain

Häfele U.K. Ltd.
Rugby, Warks. CV211RD
Phone +44 (0)17 88 / 54 20 20
Fax +44 (0)17 88 / 54 44 40
info@haefele.co.uk

Greece

Häfele GmbH & Co KG
Information Office
15124 Maroussi
Phone +30 2 10 / 6 17 95 44
Fax +30 2 10 / 6 17 95 45
info@haefele.gr

Ireland

Häfele Ireland Ltd.
Kilcoole, Co. Wicklow
Phone +3 53 (0)1 / 2 87 34 88
Fax +3 53 (0)1 / 2 87 35 63
info@haefele.ie

Italy

Häfele Italia s.r.l.
20030 Lentate S.S. -MI-
Phone +39 03 62 / 57 74-1
Fax +39 03 62 / 57 74-4 77
info@haefele.it

The Netherlands

Häfele Nederland BV
7333 NZ Apeldoorn
Phone +31 (0)55 / 5 38 46 00
Fax +31 (0)55 / 5 42 49 50
info@haefele.nl

Poland

Häfele Polska Sp. z o.o.
55-090 Długoleka
Phone +48 (0)71 / 3 15 32 42
Fax +48 (0)71 / 3 15 32 62
info@haefele.pl

Portugal

Häfele GmbH & Co KG
Escritorio de Vendas Portugal
4470-177 Maia
Phone +3 51 (0)22 / 9 47 55 96
Fax +3 51 (0)22 / 9 48 15 74

Romania

Häfele GmbH & Co KG
Reprezentanta în România
RO-500283 Brasov
Phone +40 (0)2 68 / 32 63 28
Fax +40 (0)2 68 / 32 63 28
hdevb-rom@haefele.de

Russia

000 Häfele RUS
Mkad 14Km, Building 10
109429 Moscow
Phone +7 (495)7 87 / 07 85
Fax +7 (495)7 87 / 07 84
info@haefele.ru

Spain

Häfele Herrajes España S.L.
28923 Alcorcón-Madrid
Phone +34 91 / 6 44 80 21
Fax +34 91 / 6 44 80 28
info@haefele.es

Sweden

Häfele GmbH & Co KG
Tyskland Ffillial Sverige
55303 Jönköping
Phone +46 (0)46 36 / 18 00 88
Fax +46 (0)46 36 / 18 00 99
info@haefele.se

Switzerland

Häfele Schweiz AG
8280 Kreuzlingen
Phone +41 (0)71 / 6 86 82 20
Fax +41 (0)71 / 6 86 82 82
info@haefele.ch

Turkey

Häfele San. ve Tic. A.S.
34776, Ümraniye, Istanbul
Phone +90 (0)2 16 / 5 28 59 00
Fax +90 (0)2 16 / 5 28 59 30
info@haefele.com.tr

AFRICA

South Africa

Häfele South Africa (Pty) Ltd
Honeydew 2040
Phone +27 (0)11 / 7 96 81 00
Fax +27 (0)11 / 7 94 14 90
info@haefele.co.za

AMERICA

Argentina

Häfele Argentina S.A.
B1611GFG-Don Torcuato -
Buenos Aires
Phone +54 (0)11 / 63 47 26 00
Fax +54 (0)11 / 63 47 26 26
info@haefele.com.ar

Brazil

Häfele Brasil Ltda.
06465-120 Barueri-SP
Phone +55 (0)11 / 41 96 69 00
Fax +55 (0)11 / 41 96 69 09
info@haefele.com.br

Canada

Häfele Canada Inc.
Burlington, ON L7L 6A8
Phone +1 9 05 / 3 36 66 08
Fax +1 9 05 / 3 19 44 46
info_can@haefeleamericas.com

Chile

Häfele GmbH & Co KG
Agencia en Chile
Las Condes - Santiago de Chile
Phone +56 (0)2 / 3 56 43 63
Fax +56 (0)2 / 3 56 45 40
hafelechile@vtr.net

Mexico

Häfele de México S.A.de C.V.
El Marqués, Querétaro, México.
Phone +52 (0)4 42 / 2 96 86 00
Fax +52 (0)4 42 / 2 96 86 20
hmxinfomexico@haefele.com.mx

USA

Häfele America Co
Archdale, N.C. 27263
Phone +1 3 36 / 4 34 23 22
Fax +1 3 36 / 4 31 38 31
info_us@haefeleamericas.com

AUSTRALIA, NEW ZEALAND

Australia

Häfele Australia Pty. Ltd.
Dandenong, VIC 3175
Phone +61 (0)3 / 92 12 20 00
Fax +61 (0)3 / 92 12 20 01
info@haefele.com.au

New Zealand

Häfele (N.Z.) Limited
East Tamaki, Auckland
Phone +64 (0)9 / 2 74 20 40
Fax +64 (0)9 / 2 74 20 41
info@haefele.co.nz

MIDDLE EAST

Dubai

Häfele GmbH & Co KG
Dubai Representative Office
Dubai/U.A.E.
Phone +9 71 (0)4 / 2 84 44 06
Fax +9 71 (0)4 / 2 86 08 49

FAR EAST

China

Häfele Hardware Technology
(Beijing) Co., Ltd.
101318 Beijing
Phone +86 (0)10 / 80 48 26 86
Fax +86 (0)10 / 80 48 28 85
info_bj@haefele.com.cn

Hong Kong

Häfele GmbH & Co KG
HK Representative Office
Hong Kong
Phone +8 52 / 23 68 64 33
Fax +8 52 / 23 68 99 72
info_hk@haefele.com.cn

India

Häfele India Private Limited
Mumbai 400 099
Phone +91 (0)22 / 56 95 09 20
Fax +91 (0)22 / 56 95 09 22
info@haefeleindia.com

Indonesia

P.T. Häfele Indotama
Tangerang 15314
Phone +62 (0)21 / 75 87 88 88
Fax +62 (0)21 / 75 87 77 77
info@haefele.co.id

Japan

Häfele Japan K.K.
Totsuka-ku, Yokohama 244-0806
Phone +81 (0)45 / 8 28 31 17
Fax +81 (0)45 / 8 28 31 13
info@haefele.co.jp

Malaysia

Häfele (Malaysia) Sdn Bhd
40150 Shah Alam, Selangor
Phone +60 (0)3 / 55 69 25 26
Fax +60 (0)3 / 55 69 35 26
info@haefele.com.my

Philippines

Häfele Philippines Inc.
Manggahan Pasig City 1611
Metro Manila
Phone +63 (0)2 / 6 81 53 52
Fax +63 (0)2 / 6 81 53 41
info@haefele.com.ph

Singapore

Häfele Singapore Pte Ltd
Singapore 729504
Phone +65 / 64 94 74 00
Fax +65 / 64 94 74 01
info@haefele.com.sg

South Korea

Häfele Korea Inc.
659 Jinu-ri, Dochuk-myon,
Gwangju-si, Gyeonggi-do
Phone +82 (0)31 / 7 60 76 00
Fax +82 (0)31 / 7 60 76 09
info@haefele.co.kr

Taiwan

Häfele Taiwan Ltd.
Taipei County 248, Taiwan (R.O.C.)
Phone +8 86 (0)2 / 22 98 00 30
Fax +8 86 (0)2 / 22 98 00 31
info@haefele.com.tw

Thailand

Häfele (Thailand) Limited
57 Soi Sukhumvit 64
Bangkok 10260
Phone +66 (0)2 / 7 41 71 71
Fax +66 (0)2 / 7 41 72 72
info@haefele.co.th

Vietnam

Häfele Vina Co., Ltd
Ho Chi Minh City
Phone +84 (0)8 / 9 57 31 66
Fax +84 (0)8 / 9 57 31 67
info@haefele.com.vn